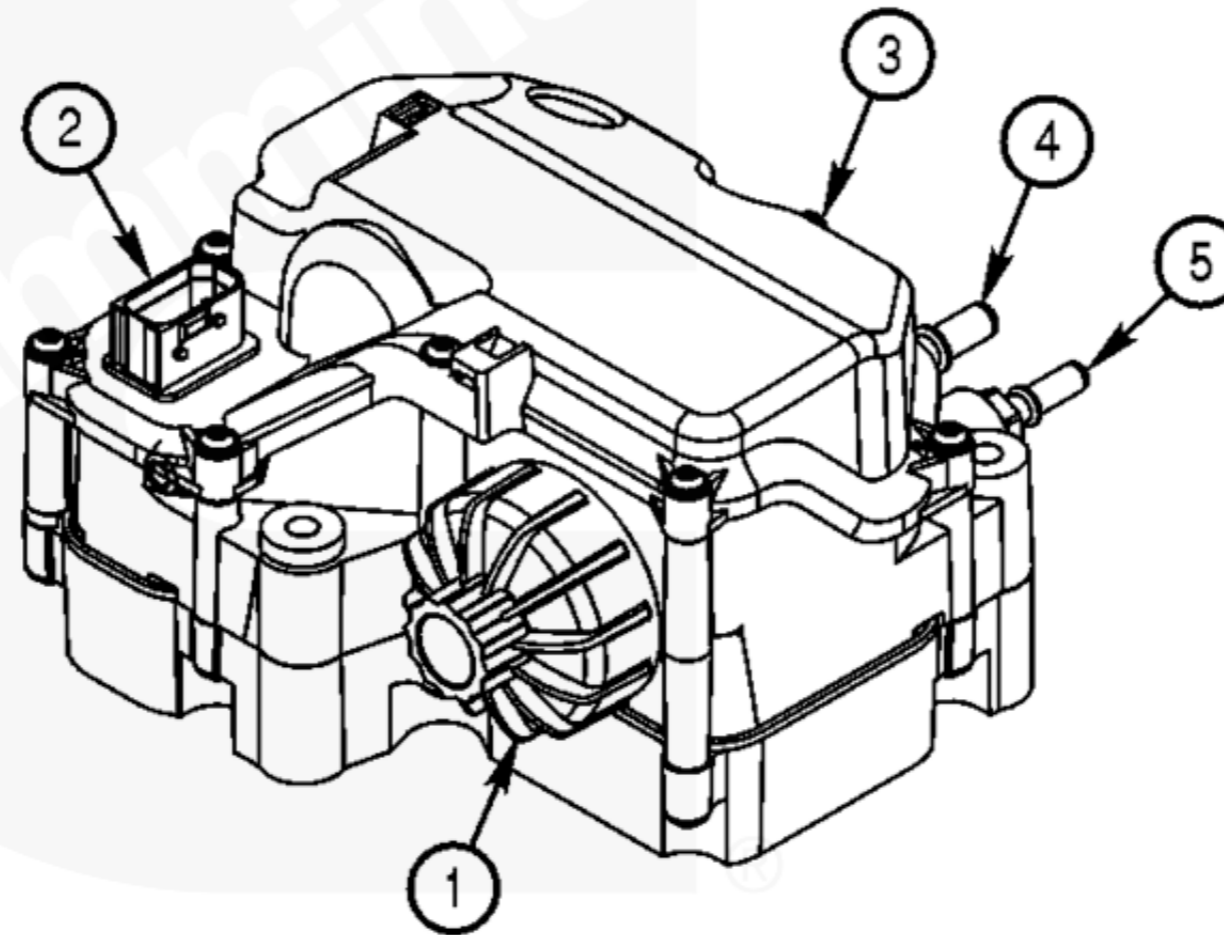


©Cummins Inc



- 1 Aftertreatment DEF dosing unit filter cap
- 2 Electrical connector to the ECM
- 3 Inlet port
- 4 Backflow port
- 5 Outlet port.

11c00654